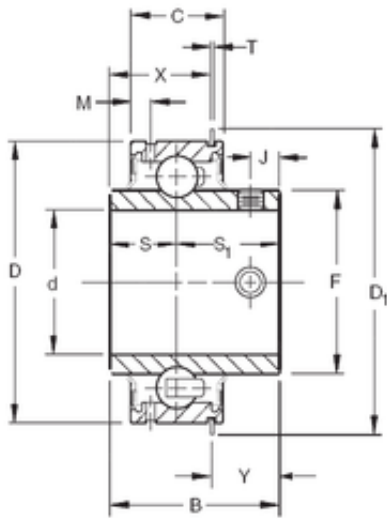




IPH Series PUMP LTD



61,9125 mm x 110 mm x 65,09 mm TIMKEN ER39 Insert Bearings Cylindrical OD

Bearing No. ER39

Size	61.9125x110x65.09 mm
Bore Diameter	61,9125 mm
Outer Diameter	110 mm
Width	65,09 mm
d	61,9125 mm
D	110 mm
B	65,09 mm
C	31,75 mm
Y	28,24 mm
S1	39,69 mm
X	36,83 mm
D1	116,3 mm
F	76,6 mm
J	9,92 mm
M	6,75 mm
S	25,4 mm
T	2,4 mm
Thread (G)	M10X1,5

ER39 Bearing 2D drawings and 3D CAD models